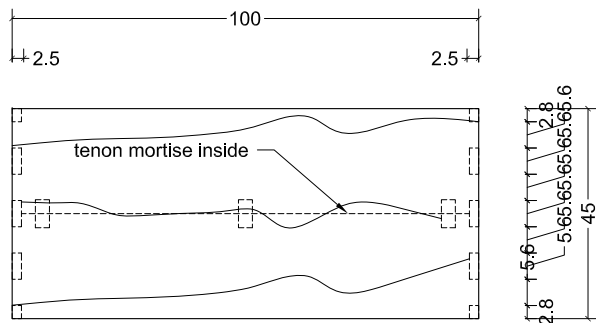
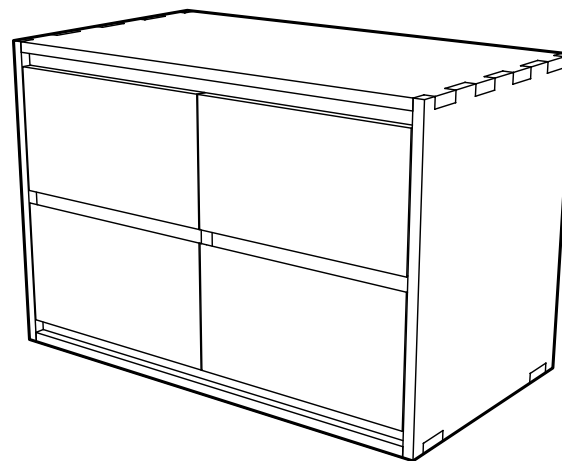


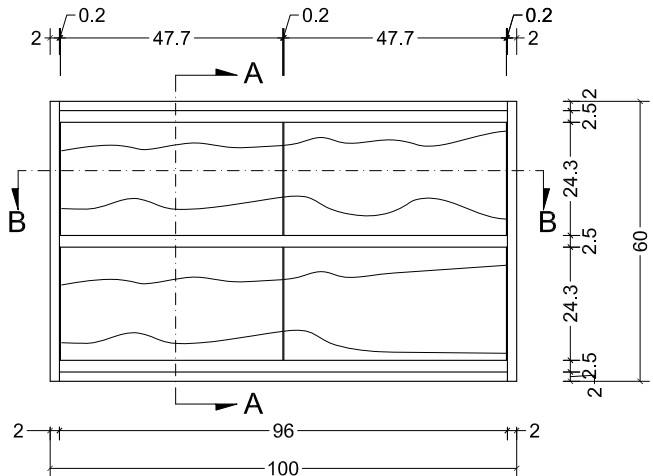
Tag ID #	<b>BEL100</b>
Dimension	<b>100 x 45 x H60 cm</b>



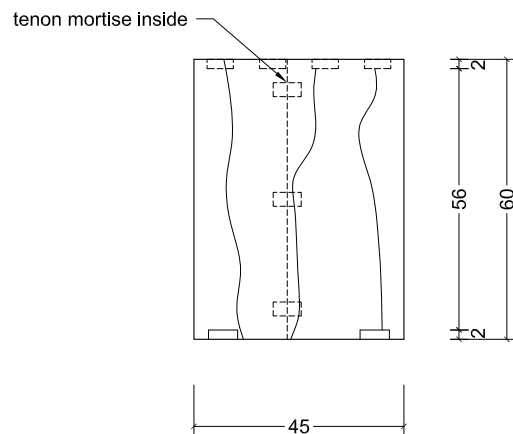
TOP VIEW



PERSPEKTIF



FRONT VIEW



SIDE VIEW

Buyer :

Customer :

Notes :  
 - connection system board = tenon - mortise with glue

Material :

Colour :

Design :

Drafter :


Approved :

Date :

10 / 05 / 2019

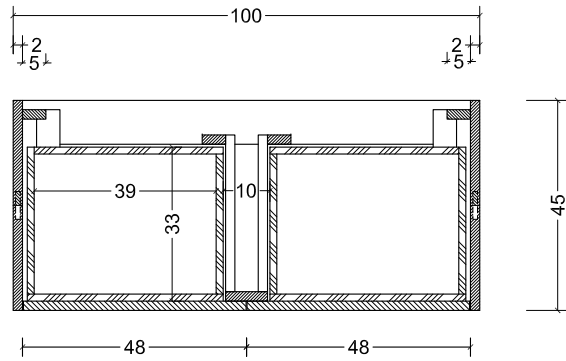
Scale :

1 : 15 ( scale in cm )

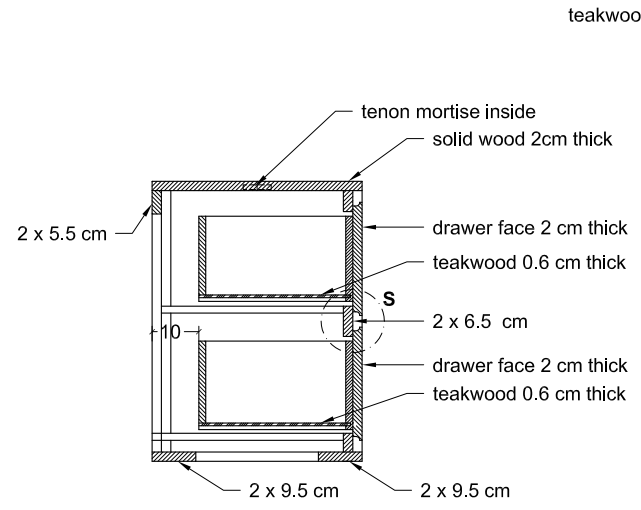
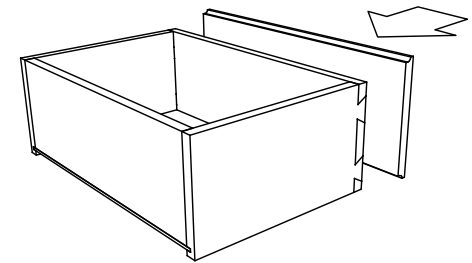
	<b>DROLA</b> x 1 set	
	<b>Code</b>	<b>KH 01</b>
	<b>Description</b>	Kitchen Hanger
	<b>Load Capacity</b>	150 Kg
	<b>Material</b>	Steel
<b>Coating</b>	30kg Galvanized	

	<b>DROLA</b> x 2 set	
	<b>Code</b>	<b>TS2-350C</b>
	<b>Description</b>	Under Mount Slide Full Extension Soft Close, With Clutch
	<b>Size</b>	350mm
	<b>Type</b>	Full Extension Soft Close with Clutch
<b>Coating</b>	Galvanized	
<b>Load Capacity</b>	30kg	

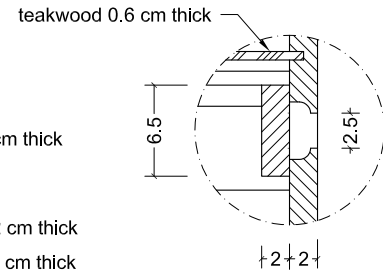
Tag ID #	<b>BEL100</b>
Dimension	<b>100 x 45 x H60 cm</b>



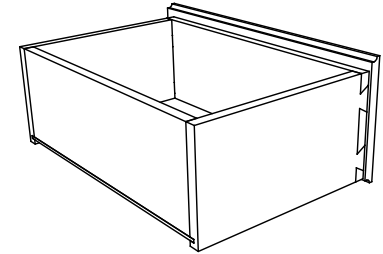
**SECTION B - B**



**SECTION A - A**



**DETAIL - S**



Buyer :

Customer :

Notes :  
- connection system board = tenon - mortise with glue

Material :

Colour :

Design :

Drafter :


Approved :

Date :

10 / 05 / 2019

Scale :

1 : 15 ( scale in cm )

	<b>DROLA x 1 set</b>	
	<b>Code</b>	<b>KH 01</b>
	<b>Description</b>	Kitchen Hanger
	<b>Load Capacity</b>	150 Kg
	<b>Material</b>	Steel
	<b>Coating</b> 30kg	Galvanized

	<b>DROLA x 2 set</b>	
	<b>Code</b>	<b>TS2-350C</b>
	<b>Description</b>	Under Mount Slide Full Extension Soft Close, With Clutch
	<b>Size</b>	350mm
	<b>Type</b>	Full Extension Soft Close with Clutch
	<b>Coating</b>	Galvanized
	<b>Load Capacity</b>	<b>30kg</b>