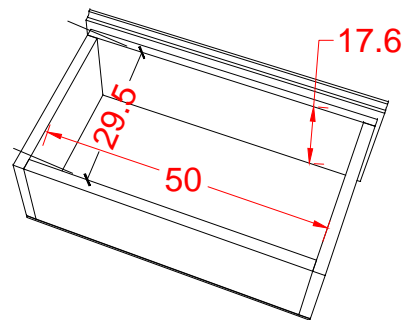
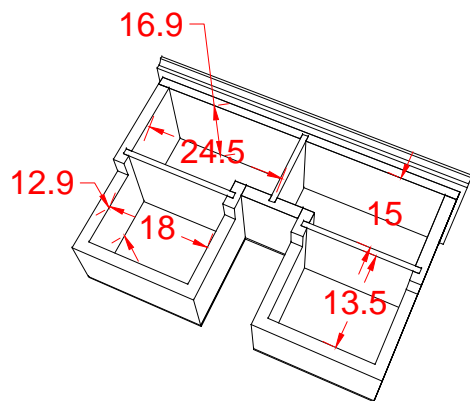
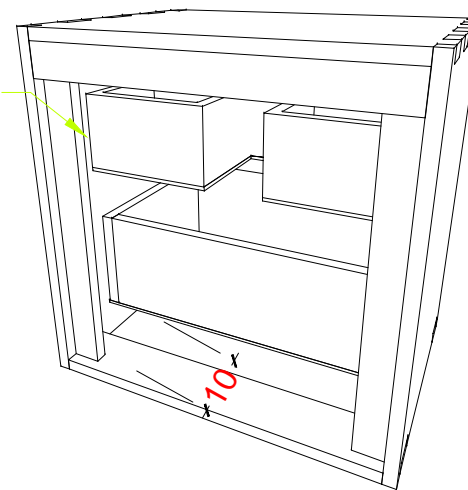
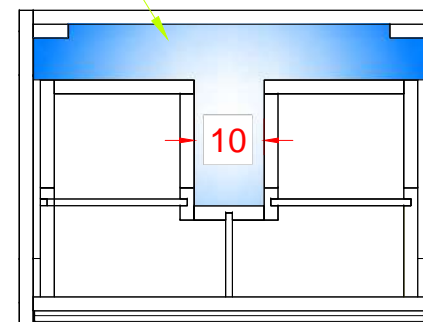




vide sanitaire



vide sanitaire



	DR•LA	
	Code	KH 01
	Description	Kitchen Hanger
	Load Capacity	150 Kg
	Material	Steel
	Coating	Galvanized

	DR•LA	
	Code	TS2-350C
	Description	Under Mount Slide Full Extension Soft Close, With Clutch
	Size	350 mm
	Type	Full Extension Soft Close with Clutch
	Coating	Galvanized
	Load Capacity	30 Kg